

# Clippard

## CORDIS CUSTOM CALIBRATED PRESSURE SENSORS



Known for reliability, innovation and focus on miniature pneumatics, Clippard has now expanded the Cordis family with this new transducer line. These piezoresistive silicone pressure sensors can either be used as feedback for Clippard's CPC Pressure Controller or as a standalone transducer. Current optional outputs are 0 to 5 VDC, 0 to 10 VDC and 0.5 to 4.5 VDC. These transducers are conditioned, temperature compensated and offer a customized calibration specific to the application requirements. This allows for a full-scale accuracy of 0.25% over the calibrated range.

Multiple mounting options allow the user to place the sensor downstream or in a remote location from the pressure controller. This creates a quicker response and helps avoid any lag in the system.

The manifold mount lends itself well to analytical value-added assemblies. All wetted materials are Oxygen compatible and manifold mounting eliminates any possible contamination during assembly.

<b>Medium</b>	Clean, dry, non-corrosive gases
<b>Material, Wetted</b>	Body: Aluminum, Sensor: Polyamide, O-Rings: FKM, Fitting: ENP Brass, Manifold: Anodized Aluminum
<b>Calibrated Pressure Range</b>	Vac to 150 psig
<b>Response Time</b>	<5 ms
<b>Accuracy</b>	±0.25% of Full Scale
<b>Linearity</b>	±0.25% BFSL
<b>Port Size</b>	1/8" NPT, 7/16-20, Manifold or Male 1/8" BSPT
<b>Operating Temperature</b>	32° to 158°F
<b>Mounting Attitude</b>	Any
<b>More Details</b>	<a href="http://clippard.com/link/sensors">clippard.com/link/sensors</a>
<b>Voltage</b>	12 to 24 VDC
<b>Current Draw</b>	<20 mA
<b>Protection Rating</b>	IP65
<b>Signal Output</b>	0 to 5 VDC, 0 to 10 VDC or 0.5 to 4.5 VDC



CPS-FBG-E shown

Custom calibrated sensor with Cordis CPC Proportional Pressure Controller (ordered separately)

- Stand-alone unit or used in conjunction with Clippard's Cordis Pressure Controls
- Downstream sensor feedback
- Multiple VDC signal outputs
- Static or dynamic applications
- Multiple electrical connection options
- Customizable pressure ranges and mounting options
- IP65 Rated
- Temperature compensated



**PART NO.**

**Sensor Mounting**

**CPS-F** Male 1/8" NPT  
**CPS-I** 7/16-20 UNF  
**CPS-M** Manifold  
**CPS-R** Male 1/8" BSPT

**Signal Output**

**F** 0 to 5 VDC  
**E** 0 to 10 VDC  
**G** 0.5 to 4.5 VDC

**Electrical Connection**

**A** Flying Leads, 36"  
**B** M8 Cable, 36" \*  
**C** M8 Male 3-Pin Connector

*\* For use when connected to a Clippard CPC Cordis Pressure Controller only (-Z option)*

**Standard Calibrated Range**

**-A** 0 to 1 psig    **-L** 0 to 4 bar  
**-B** 0 to 5 psig    **-M** 0 to 7 bar  
**-C** 0 to 15 psig    **-N** 0 to 10 bar  
**-D** 0 to 30 psig    **-O** 0 to 15 psia  
**-E** 0 to 60 psig    **-P** 0 to 30 psia  
**-F** 0 to 100 psig    **-Q** 0 to 100 psia  
**-G** 0 to 150 psig    **-R** -5 to +5 psid  
**-H** 0 to 0,1 bar    **-S** -15 to +15 psid  
**-I** 0 to 0,5 bar    **-T** 0 to 10" H2O  
**-J** 0 to 1 bar    **-U** -10" to +10" H2O  
**-K** 0 to 2 bar    **-V** 0 to 4" H2O  
**-W** -1 to +1 psid

**Unit of Measure ± Pressure**

**-A** psig    **P** Positive  
**-B** bar    **V** Vacuum  
**-C** psia  
**-D** mBar  
**-E** inHg  
**-F** mmHg  
**-G** Torr  
**-H** H2O  
**-I** kPA

**Custom Calibrated Range**

**± Pressure**

**P** Positive  
**V** Vacuum

**Offset - Low**

**0.00** Low End (manual entry)

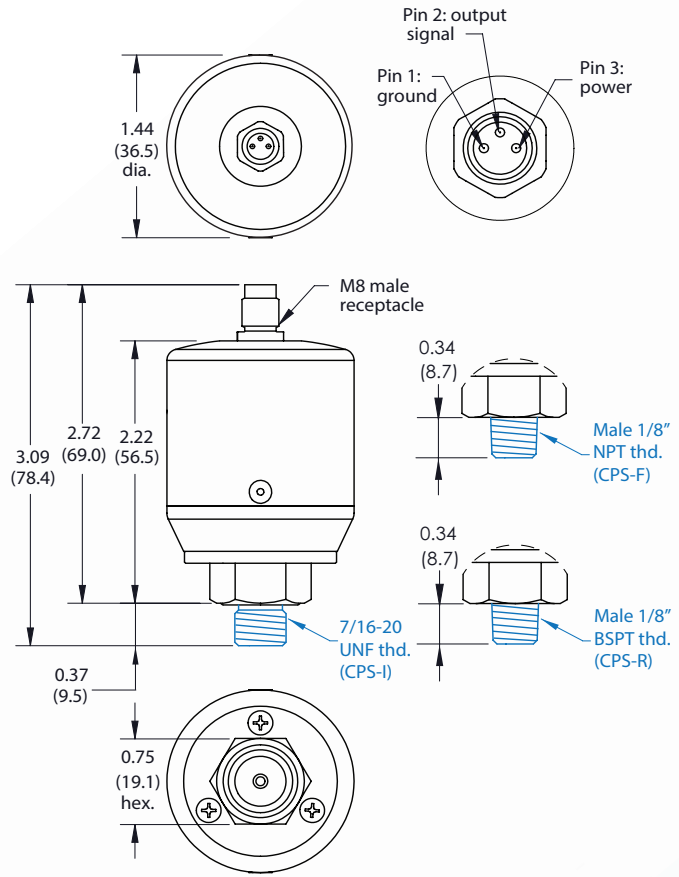
**Calibrated High**

**0.00** High End (manual entry)

**Accessories**

**CPSH-C1** Mating Cable, 36" (for "C" Electrical Connection only)

**Thread Mount**



**Manifold Mount**

