

PV SERIES PROPORTIONAL VALVE

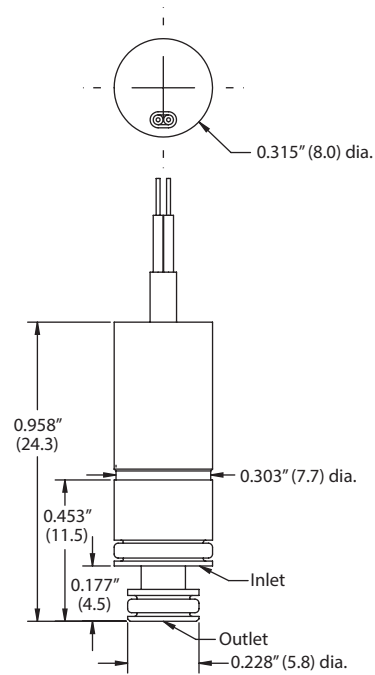
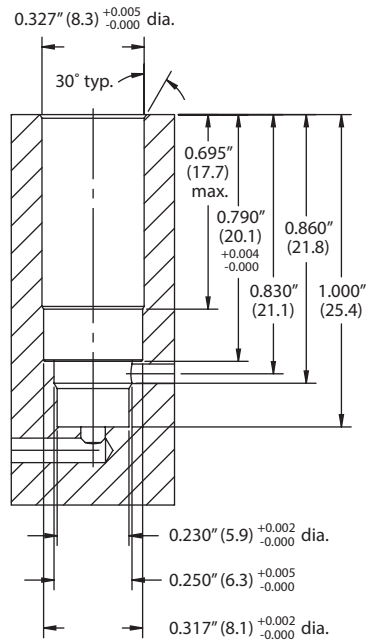
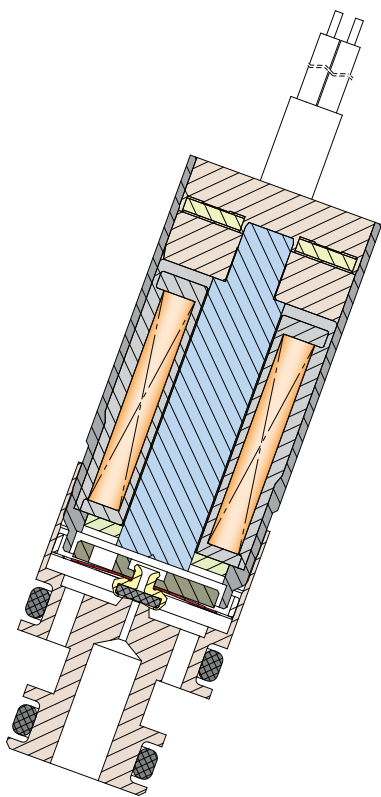


These 8 mm proportional direct-acting valves provide precise, linear control for accurate dosing and flow regulation in critical applications. With low power consumption, they offer excellent energy efficiency while maintaining quiet operation and minimal vibration. Their versatile design makes them suitable for a wide range of medical, diagnostic, and industrial applications.

Standard products offered will fit the needs of most applications, however this series can be fully customized according to the user's unique requirements. Consult Clippard with your specific application.

- Ideal for compact assemblies
- Eliminates downstream pulsations
- Smooth proportional delivery
- Low current power / low to no noise
- Exceptional variability of flow vs. command current
- Tiny package with a robust design
- Highly customizable performance

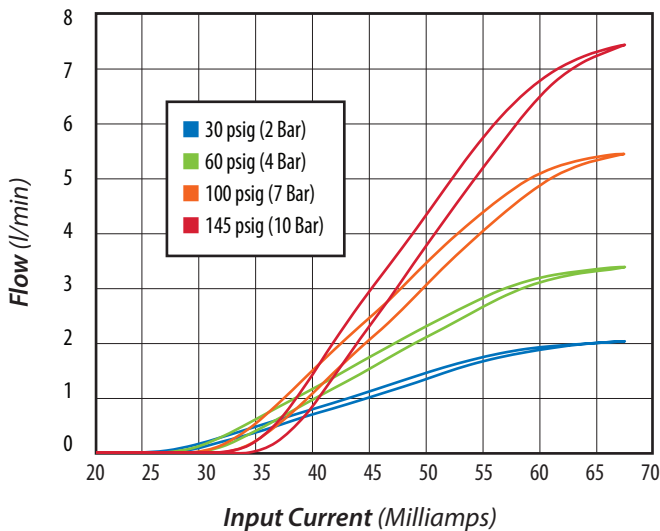
Connection	3.15" (80 mm) wire leads
Current Range	0 to 70 mA
Cycle Life	100 million
Filtration	10 micron
Function	2-way normally-closed proportional
Hysteresis	< 10% of full current
Leak Rate	1.0 sccm
Material, Wetted	Stainless steel, FKM/FFKM
Max. Flow	0.012" (0.3 mm) Orifice: 7.3 ± 0.7 l/min @ 145 psig (10 bar) 0.020" (0.5 mm) Orifice: 7.0 ± 1.0 l/min @ 87 psig (6 bar)
Medium	Air, inert gases
Mount	Cartridge
Nominal Coil Resistance	308 Ω @ 68°F (20°C)
Number of Ports	2
Operating Pressure	0.012" (0.3 mm) Orifice: 0 to 145 psig (10 bar) 0.020" (0.5 mm) Orifice: 0 to 87 psig (6 bar)
Operating Temp. Range	41 to 122°F (5 to 50°C)
Orifice	0.012" (0.3 mm), 0.020" (0.5 mm)
Wattage	1.5 watts @ 68°F (20°C); 2.2 watts max.
More Details	clippard.com/link/pv8



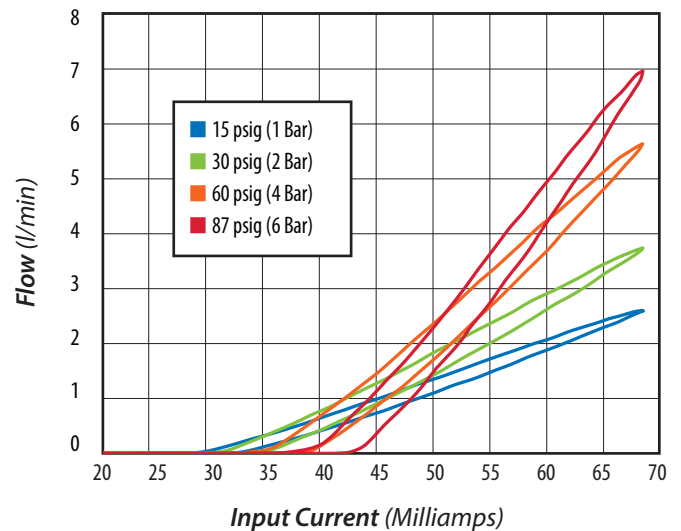
Dimensions shown are in inches (millimeters listed in parentheses).

Visit clippard.com for more detailed 2D and 3D drawings.

Typical Performance for 0.012" Orifice (Air)



Typical Performance for 0.020" Orifice (Air)



ORDERING INFORMATION

P V 8 - □

Pressure Range

- 3 0.012" (0.3 mm) orifice—0 to 145 psig (10 bar)
- 5 0.020" (0.5 mm) orifice—0 to 87 psig (6 bar)

ACCESSORIES

SPM-01* Single-station manifold, #10-32

M-SPM-01* Single-station manifold, M5

*Also available in stainless steel (add -SS to part number)

Example Part Number:

PV8-3

For more info, scan the QR code or visit clippard.com/link/pv8

